

Solid polymer Electrolytic Dehumidifier

ROSAHL

Humidity controller unit Product Specification

Model : C - M1J

RYOSAI TECHNICA CO., LTD.

RB-PS12027

## 1. Application

This specification document is applied to model C-M1J of Humidity controller unit for solid polymer electrolytic dehumidifier "ROSAHL".

## 2. Outline

Drawing No : RB-RAX0022 (Refer to page 4)

## 3. Specification

- 1). Humidity set range : 20 ~ 80%RH
- 2). Operating temperature : -10 ~ 50°C
- 3). Dielectric strength : AC2000V (1 min.)
- 4). Weight : 0.2kg

## 4. Delivery Inspection

Tested the following inspection items.

- 1). Appearance
- 2). Operation check
- 3). Nameplate
- 4). Packaging

## 5. Packaging

The products are packed individually and fill the box with them to avoid breakage failure while transport.

## 6. Accessory

- 1). Instruction manual 1 piece

## 7. Precautions for Use of Dehumidifier

- 1). This unit is a dedicated optional part for ROSAHL. Please use with ROSAHL.
- 2). Please attach this unit in a container to dehumidify with ROSAHL.
- 3). Please install this unit in the good location of the ventilation in a container. (For example, in the center of the inner side surface of the container)
- 4). Please refer to Fig. 1 and Fig. 2 for the connection with ROSAHL.
- 5). DO NOT attempt to disassemble, repair or modify the product, as this may damage it.
- 6). The real value may make a around  $\pm 10\%$  difference for the setting value.  
(It is not a thing guaranteeing the precision for the setting value.)
- 7). By a change of the environment (temperature etc.), the humidity in the container may change.  
(This unit does not have the function that keeps a container constantly at the desired humidity.)

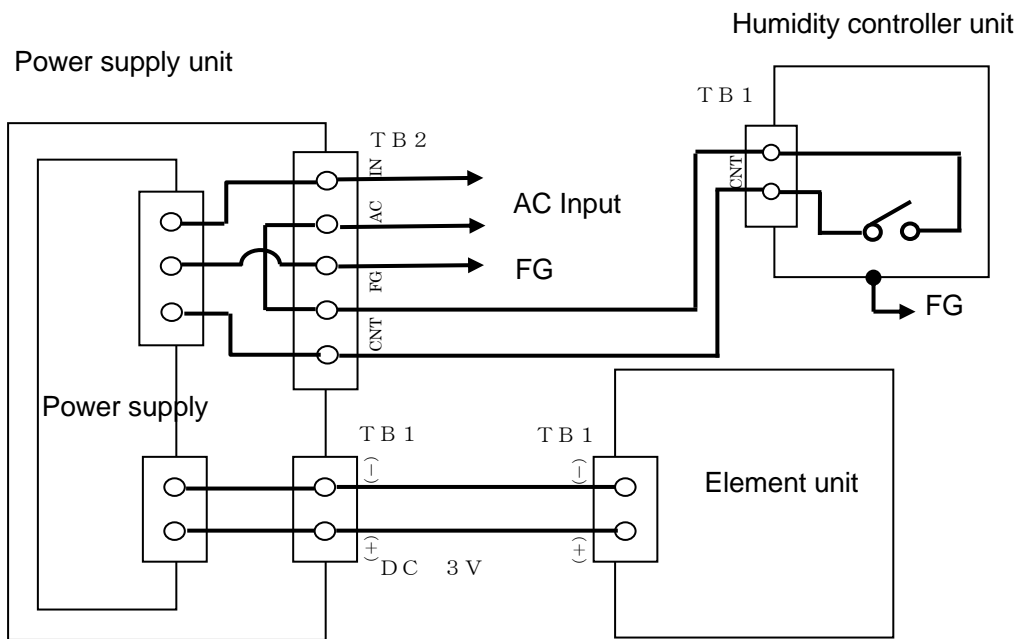


Fig. 1 Connection diagram between the unit ( for Separate Type Dehumidifier / RDHB )

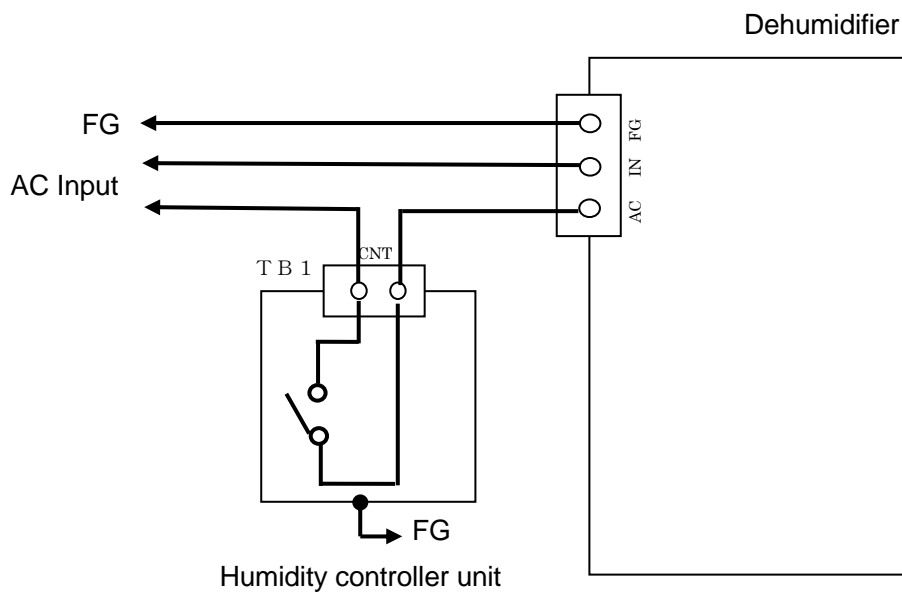
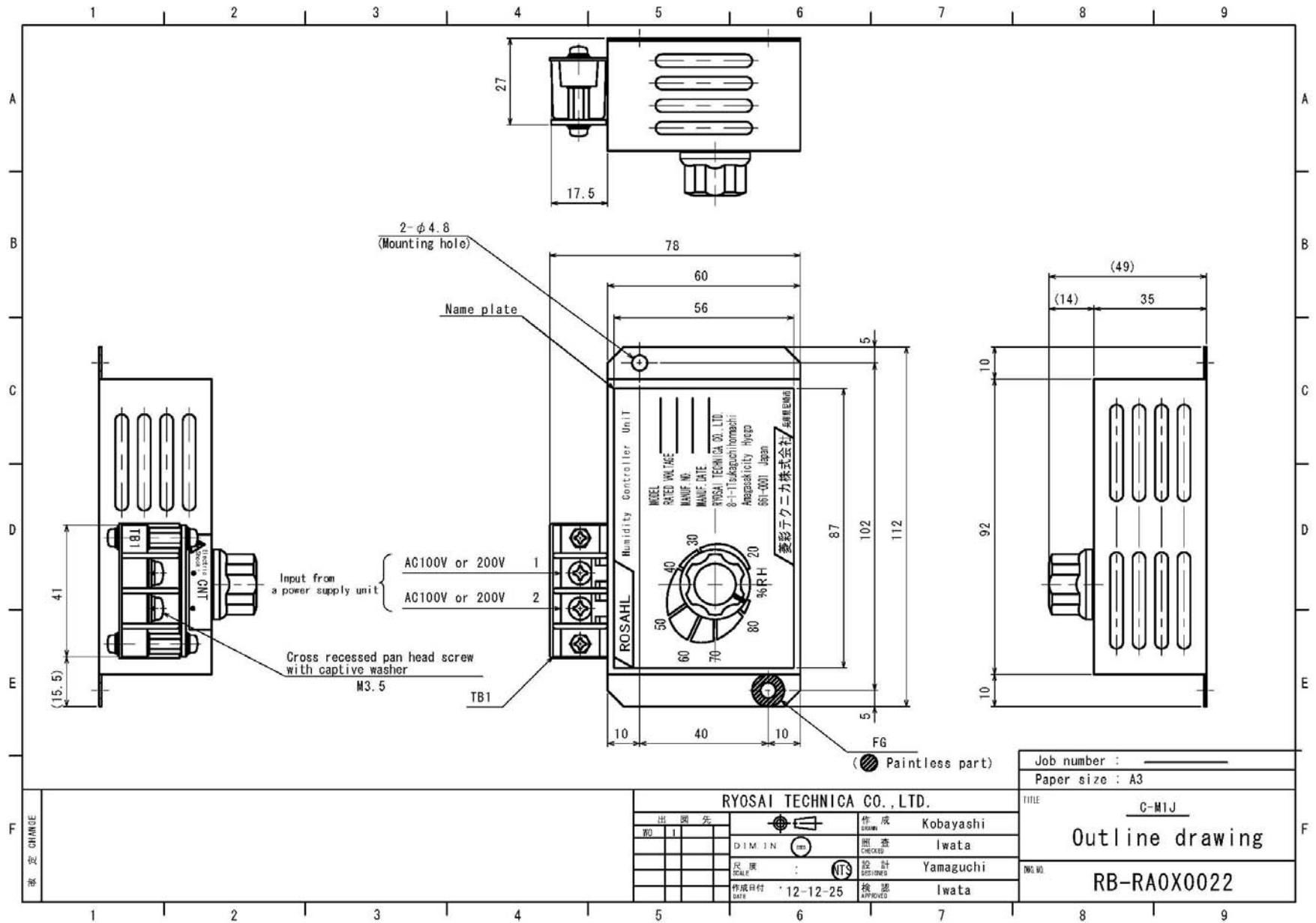


Fig. 2 Connection diagram between the unit ( for General Dehumidifier / RDH )

(4/4)



改定 CHANGE

RYOSAI TECHNICA CO., LTD.

出 図 先	作成	作成	Kobayashi
初 稿	照 査	照 査	Iwata
尺 寸	設 計	設 計	Yamaguchi
作成日付	検 査	検 査	Iwata
DATE	DATE	DATE	

Job number :	
Paper size :	A3
TITLE	C-MIJ
	Outline drawing
FIG. NO.	RB-RA0X0022