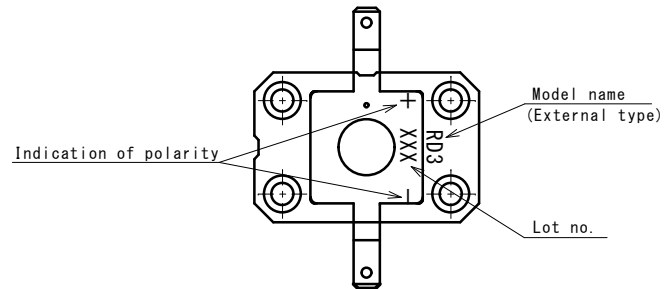
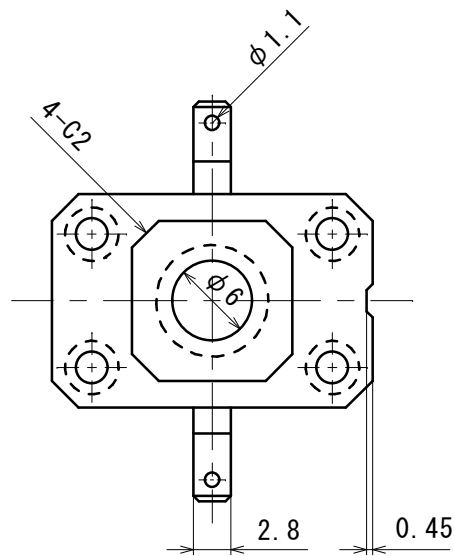
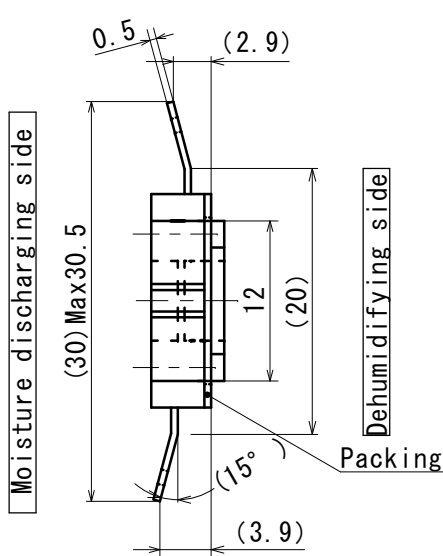
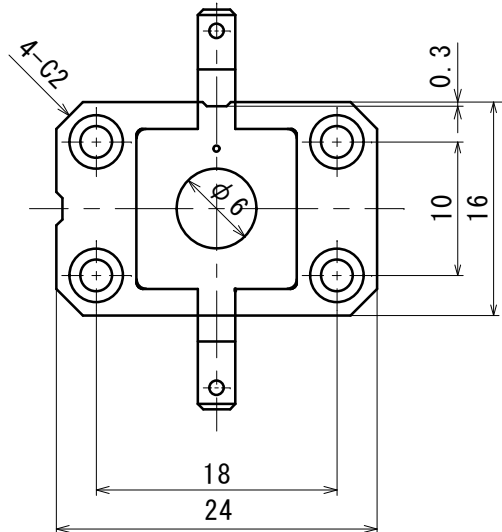
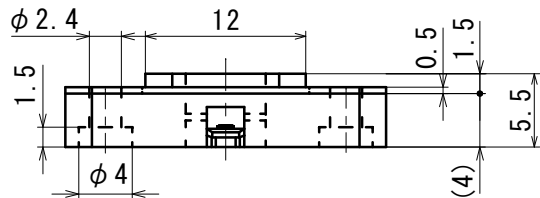


Element connecting terminal type : Soldered type  
 or Insertion type (Use a ST0-01T-110N(JST)  
 flat connecting terminal or equivalent.)



Indication



| 指定以外ノ寸法許容差  |           |           |
|-------------|-----------|-----------|
| 削り加工        |           |           |
| 呼び寸法        | 中級        | 粗級        |
| 0.5 ~ 3     | $\pm 0.1$ | —         |
| 3 ~ 6       | $\pm 0.1$ | $\pm 0.2$ |
| 6 ~ 30      | $\pm 0.2$ | $\pm 0.5$ |
| 30 ~ 120    | $\pm 0.3$ | $\pm 0.8$ |
| 120 ~ 315   | $\pm 0.5$ | $\pm 1.2$ |
| 315 ~ 1000  | $\pm 0.8$ | $\pm 2.0$ |
| 1000 ~ 2000 | $\pm 1.2$ | $\pm 3.0$ |
| 2000 ~ 4000 | $\pm 1.8$ | $\pm 4.5$ |

Paper size : A3

RYOSAI TECHNICA CO., LTD.

TITLE RD3

|       |  |
|-------|--|
| 出 図 先 |  |
| WO 1  |  |
|       |  |
|       |  |
|       |  |
|       |  |

|                 |            |
|-----------------|------------|
| DRAWN<br>作成     | Kobayashi  |
| CHECKED<br>照 査  |            |
| DESIGNED<br>設 計 | Yamaguchi  |
| APPROVED<br>検 認 |            |
| SCALE<br>尺 度    | (NTS)      |
| DATE<br>作成日付    | ' 12-12-25 |

|  |  |
|--|--|
|  |  |
|  |  |
|  |  |
|  |  |
|  |  |
|  |  |

Outline drawing  
 DWG. NO. RB-R06X0014

改 定 CHANGE