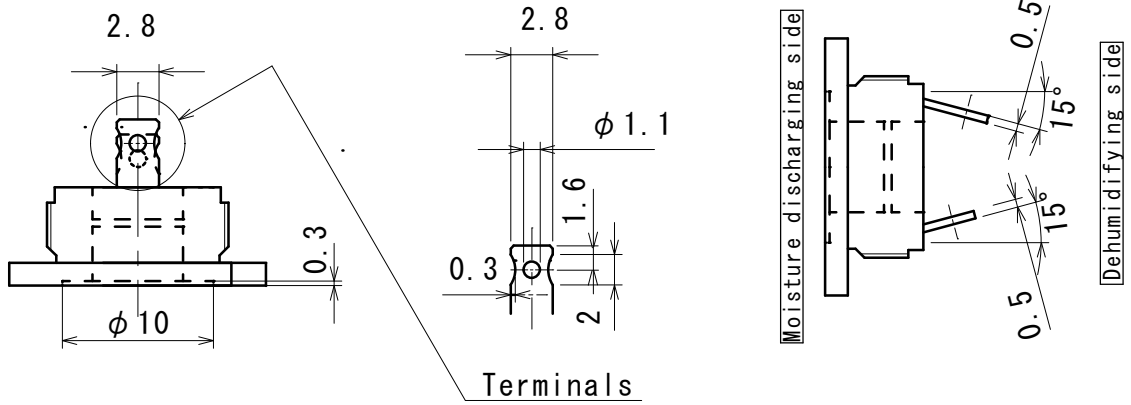


Element connecting terminal type : Insertion type (use a ST0-01T-110N(JST) flat connecting terminal or equivalent.)

A

A



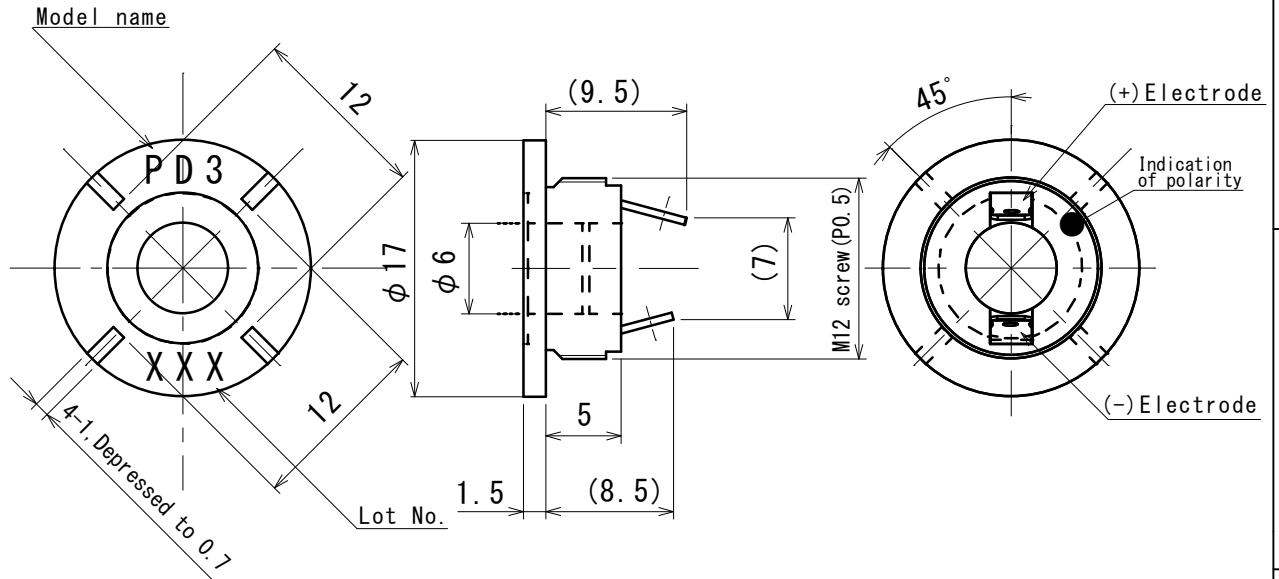
B

B

Terminals

C

C



D

D

E

E

改定 CHANGE

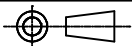
F

F

RYOSAI TECHNICA CO., LTD.

Paper size : A4

出 図 先



DRAWN 作成 Kobayashi

TITLE PD3 (For general sale)

DIM. IN mm

CHECKED 照査 Yamaguchi

Outline drawing

SCALE 2 : 1 NTS

DESIGNED 設計

DWG. NO. RB-R06X0017

DATE 作成日付 '12-12-25

APPROVED 検認