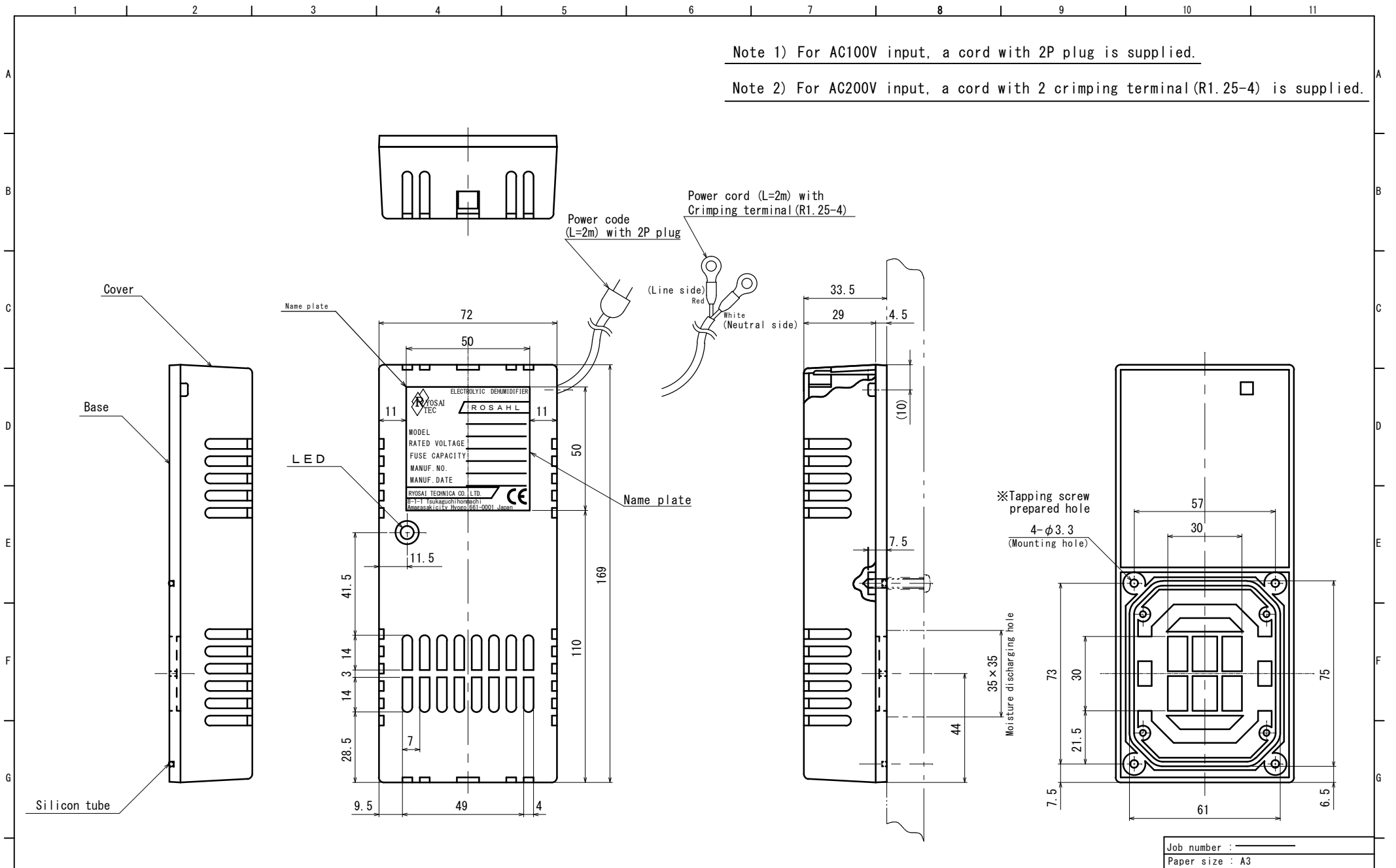


Note 1) For AC100V input, a cord with 2P plug is supplied.

Note 2) For AC200V input, a cord with 2 crimping terminal (R1.25-4) is supplied.



改定

RYOSAI TECHNICA CO., LTD.		作成 DRAWN Kobayashi
NO. 1	図面番	検査 CHECKED
	D.I.M.I.N.	設計 DESIGNED Yamaguchi
	尺度 SCALE	承認 APPROVED
	作成日付 DATE	
	12-12-25	

Job number : _____
Paper size : A3
TITLE RDH-3P1
Outline drawing
DWG. NO. RB-R30X0022