

ROSAHL

Instruction Manual

ELECTROLYTIC DEHUMIDIFIER

General Type「RDH-5J1 RDH-7J1 RDH-10J1 RDH-10J2」

NOTICE

- | |
|--|
| <p>1. Please read this manual before you use the dehumidifier, and use it correctly.
2. The person who operates, manages and maintains the dehumidifier must keep this manual.</p> |
|--|



RYOSAI TECHNICA CO., LTD.

8-1-1 Tsukaguchi-Honmachi
Amagasaki-City, Hyogo, 661-0001 Japan
Tel : +81-6-6497-9078 Fax : +81-6-6497-9082

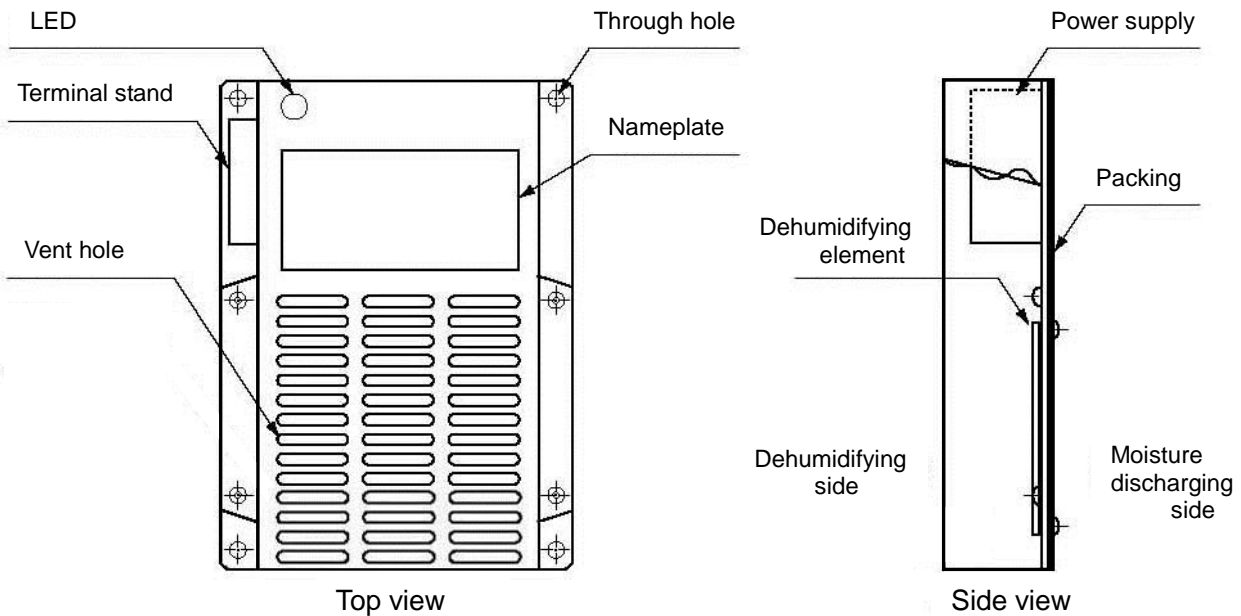
Contents

- | | | |
|---|--|---------|
| ① | ROSAHL(dehumidifier with a black packing)..... | 1 set |
| ② | Instruction manual | 1 piece |

For proper usage

<ul style="list-style-type: none"> ● Make sure to use the dehumidifier with the AC100V in order to avoid fire, electrical leakage and damage of the dehumidifier. 	<p>Compulsory</p>
<ul style="list-style-type: none"> ● DO NOT expose the moisture discharging hole to wind and rain directly. When using outdoors, please attach the rainproof cover with anti-insect net to protected from water or insects. (Refer to the installation method and location) 	<p>Prohibited</p>
<ul style="list-style-type: none"> ● Keep the moisture discharging side unsealed and well ventilated. 	<p>Prohibited</p>
<ul style="list-style-type: none"> ● DO NOT put pin or wire etc. into the moisture discharging hole. It may cause an electric shock and the element may be damaged or deteriorate. 	<p>Prohibited</p>
<ul style="list-style-type: none"> ● DO NOT use a silicon-based sealing agents to make a container airtight. They quickly degrades the performance of the dehumidifying element. 	<p>Prohibited</p>
<ul style="list-style-type: none"> ● DO NOT use with vapor phase corrosion inhibitor or insect repellent. DO NOT use in an environment with a lot of organic gas. They may degrade the performance of the dehumidifying element. 	<p>Prohibited</p>
<ul style="list-style-type: none"> ● DO NOT attempt to disassemble, repair or modify the dehumidifier. It may cause an electric shock and the performance deterioration, as this may damage it. 	<p>Prohibited</p>

Name of Each Part

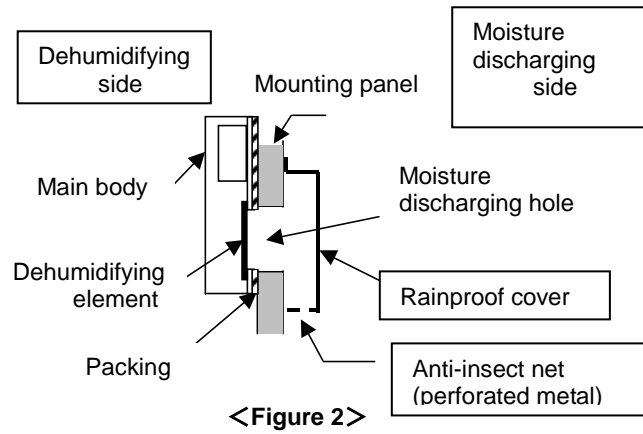
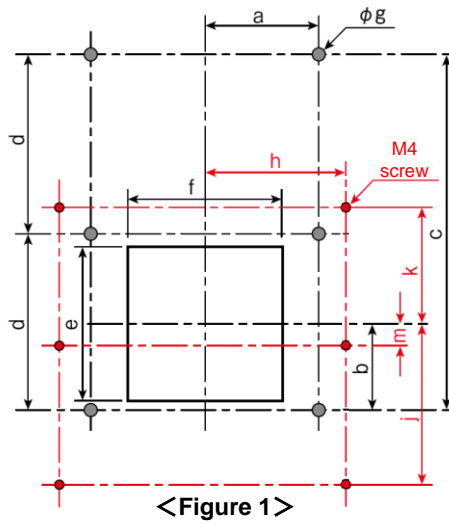


Installation Method and Location

- 1 It is preferable that the dehumidifier is installed in the center of the inner side surface of the container as to read the nameplate upright with packings to ensure airtightness of the container.
- 2 Please never install the device on the ceiling or on the floor to avoid its failures.
- 3 Make a moisture discharging hole and installation holes shown in Table 1 and Figure 1 on the container.
- 4 Please fix the main body (ROSAHL) firmly with four or six screws in the container with the packing. When using outdoors, please attach the rainproof cover with anti-insect net(perforated metal) shown in Figure 2 to protected from water or insects.
- 5 Make a sealed moisture-impermeable container as much as possible to bring a high performance into the dehumidifier.
- 6 Connect the product with AC100V power supply.
- 7 Connect FG of the product to ground.

Attention

- (1) Please use the specified electric wire for the power supply connection. (Refer to the product specification)
- (2) The customer should prepare electric wire, ground cable, installation screw, rainproof cover and anti-insect net(perforated metal).



<Table 1>

Model name	Main body installation dimensions							Rainproof cover installation dimensions ※1			
	a	b	c	d	e	f	g	h	j	k	m
RDH - 5J1	52.5	39	160	—	70	70	5	67.5	72.5	52.5	—
RDH - 7J1	65	50	185	—	95	95	6	87.5	85	65	—
RDH - 10J1	80	62.5	225	—	125	125	6	112.5	100.5	79.5	—
RDH - 10J2	90	135	350	175	250	125	6	112.5	162.5	142.5	10

※1 Not necessary when a rainproof cover is not used.

Usage

1

Please turn on the AC power supply and get energized. (Please use AC100V.)

2

Please confirm lighting of the LED. (It is a usage state)

※It might take 3-5 minutes to light the LED on the initial stage of turning on the power supply. This is not abnormal.

●Emergency

Please confirm the following matters when LED doesn't light.

- (1) Is the power supply correctly connected?
- (2) Is the power supply AC100V?
- (3) Does not the moisture discharging side of a dehumidifying element get wet?

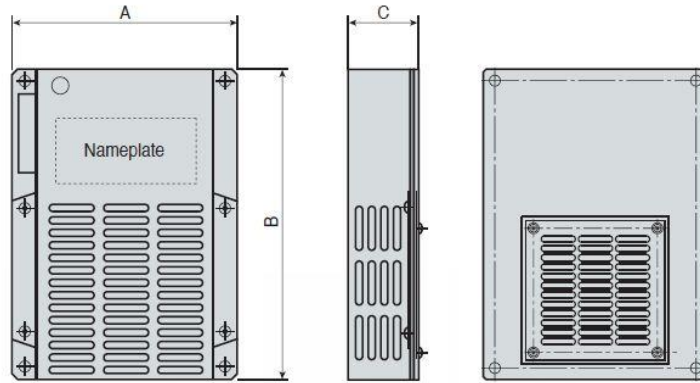
(In this case, the overcurrent protection circuit of the power supply functions and LED does not light. If the wet state is canceled, it returns to normal state.)

Please let agent or us know when you confirm the matter mentioned above and still LED does not turn on for a long time.

Product Specification

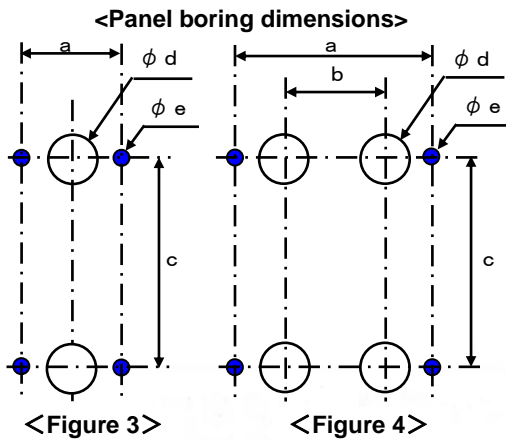
Model name	RDH-5J1	RDH-7J1	RDH-10J1	RDH-10J2
Dehumidifying capacity(g/day)*1	8	16	29	58
Applicable volume (m ³) *2	Up to 1	UP to 2	Up to 4	Up to 8
Rated voltage (v)	100/110AC			
Power consumption (w) *3	4	5	10	20
Dielectric strength (v)	2000AC(per minute)			
Dimensions (mm) *4	115×170×45	145×200×45	175×245×55	195×370×55
Weight (kg)	0.8	1.0	1.3	2.0
Operating temperature (°C)	-10 to 50			

- *1 The initial value at the temperature of 30°C and humidity 60%RH.
(The dehumidifying capacity will degrade during use. How much it degrades depends on the operating environment and conditions. If any signs of abnormality are seen, early replacement is recommended.)
- *2 The applicable volume is for a sealed, moisture-impermeable container, and may vary depending on the material of the container, state of sealing and required humidity.
- *3 The annual average power consumption in average condition in Japan. (20°C ,60%RH)
- *4 The dimensions of AxBxC in the following figure.



Adapter installation method

This method is usually used when it is not possible to make a square moisture discharging hole on the surface itself, for example when installing to an existing panel.
Use an adapter set for installation (Refer to Figure 5). Adapter set, Rainproof cover with anti-insect net (perforated metal), Packing, Fixing bolt become the optional part. Please contact with the agent or us.



<Table 2>

Model name	Main body installation dimensions					remarks
	a	b	c	d	e	
RDH-5J1	40	—	100	18	6.5	Figure 3
RDH-7J1	90	45	115	25	7.5	Figure 4
RDH-10J1	90	45	150	25	7.5	
RDH-10J2	90	45	260	30	7.5	

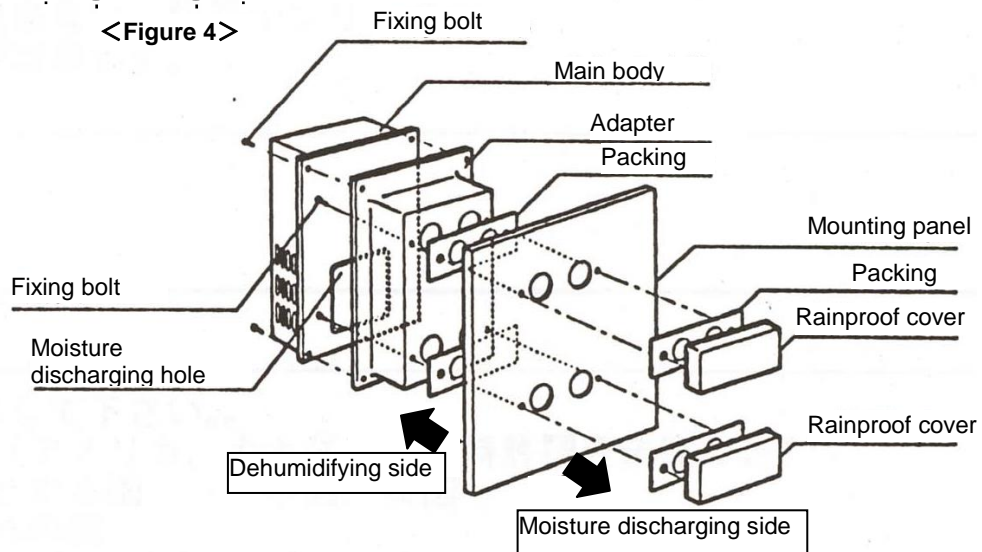


Figure 5 (for RDH-7J1, RDH-10J1, RDH-10J2)